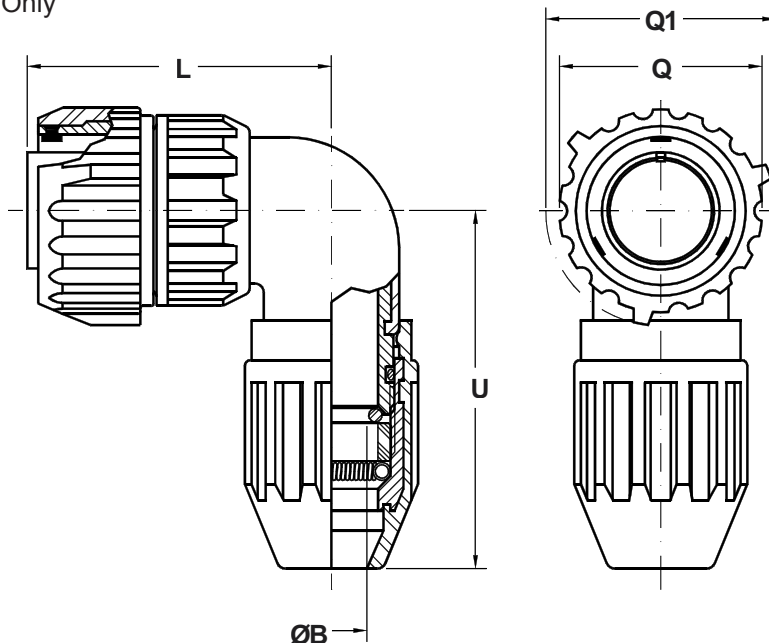
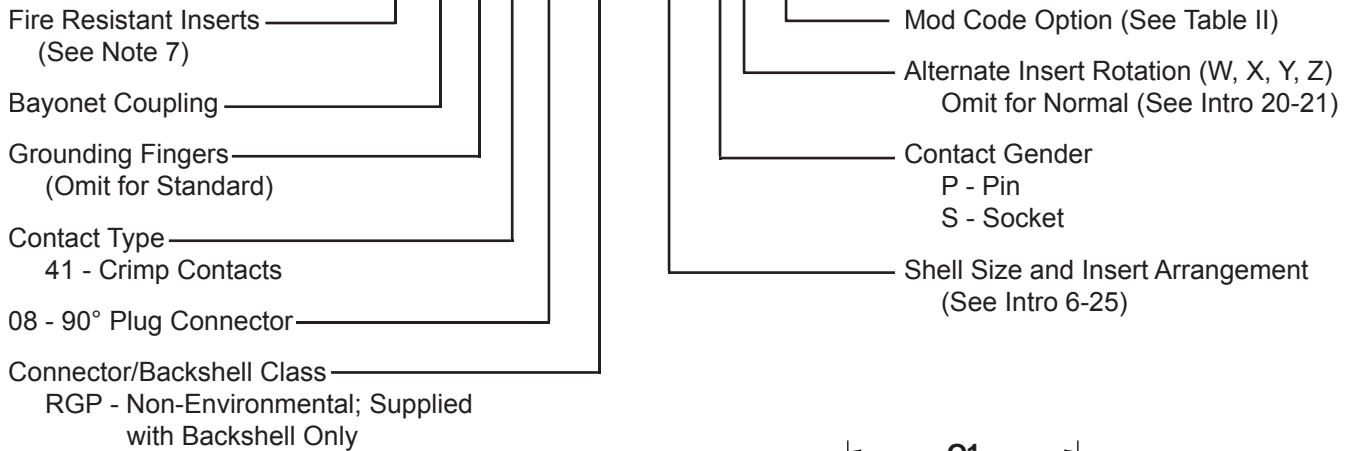


ITS 4108 (RGP)

90° Cylindrical Plug Connector with Rubber-Coated Cable Sealing Backshell for Use with 03 and 030 Receptacles

FR ITS G 41 08 RGP 20-27 P Y XXX



Application Notes:

1. 90° cylindrical plug connector with rubber-coated cable sealing backshell with spring style strain relief for use with jacketed cables. Designed for use with 03 and 030 receptacles.
2. Non-environmental (no grommet supplied).
3. Standard materials configuration consists of aluminum alloy with cadmium olive drab finish.
4. Standard contact material consists of copper alloy with silver plating (Gold plating available, see mod codes).
5. A broad range of additional connector accessories are available. See our website and/or contact the factory for complete information.
6. Standard insert material is synthetic rubber.
7. Add "FR" prefix to front of part number to specify fire-resistant insert elastomers.



**ITS 4108 (RGP)
90° Cylindrical Plug Connector
with Rubber-Coated Cable Sealing Backshell
for Use with 03 and 030 Receptacles**



ITS-RG
Reverse Bayonet
Assemblies

TABLE I: DIMENSIONS

Dimensione Guscio Shell size	ØB		L	ØQ	ØQ1	U
	min.	Max.	Max.	±0.5	±0.5	Max.
14 S	9.52	12.70	57	35.0	42.0	60
16 S	12.70	15.90	58	38.0	45.0	68
16	12.70	15.90	67	38.0	45.0	68
18	12.70	15.90	68	43.5	49.0	70
20	15.90	19.00	71	46.0	51.5	72
22	15.90	19.00	71	50.5	56.0	72
24	19.00	22.20	76	54.0	60.0	80
28	22.20	25.40	76	61.0	67.0	80
32	28.50	31.75	80	68.0	76.0	88
36	31.75	34.90	84	74.0	82.0	95
40	38.00	41.27	88	80.0	88.0	98

TABLE II: MODIFICATION CODES

CONTACT OPTIONS	
Sym	Description
B0	Connector less contacts
B1	Connector with gold plated contacts
Omit for standard version (silver plated)	

